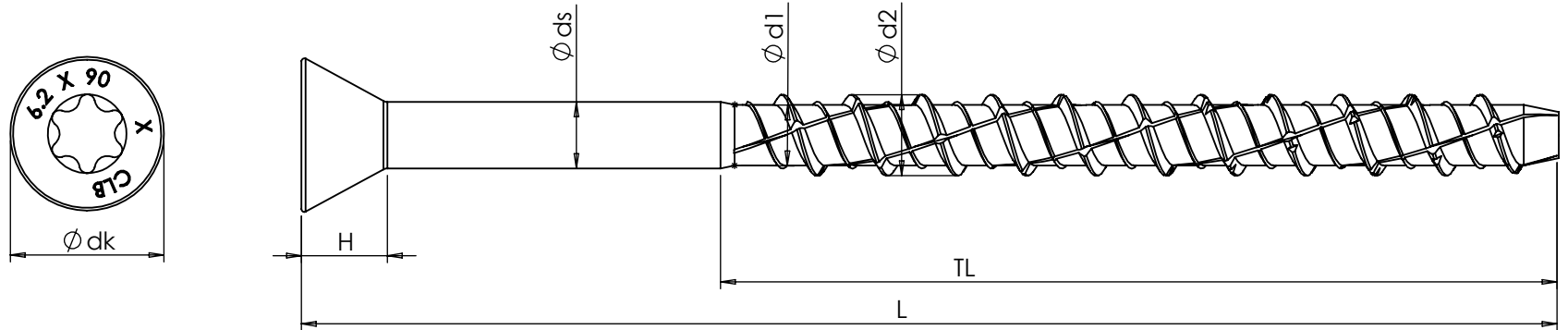


# GRK Caliburn



PART #	SIZE	Head diameter (dk)	Head height (H)	Length (L)	Thread length (TL)	Shank diameter (ds)	Minor diameter (d1)	Major diameter (d2)	
57153	1/4" X 1-3/4"	0.433	0.275	1.750	full	N/A	0.172	0.250	
57156	1/4" X 2-1/4"			2.250					
55159	57159			1/4" X 2-3/4"	2.750	2.300			0.187
55163	57163			1/4" X 3/1/2"	3.500	2.300			
57171	1/4" X 5"			5.000	3.420				

Dimensions are in inches without any manufacturing tolerances !

Predrilling with a 3/16inch diameter concrete drill bit required.

Has a T-30 Star drive.



**PROPRIETARY AND CONFIDENTIAL**  
 THE INFORMATION CONTAINED IN THIS DRAWING IS THE SOLE PROPERTY OF Illinois Tool Works Inc. ANY REPRODUCTION IN PART OR AS A WHOLE WITHOUT THE WRITTEN PERMISSION OF Illinois Tool Works Inc. IS PROHIBITED.

Distribution Record	Headmark	NAME	DATE	<b>ITW</b> <b>GRKFASTENERS.com</b> <b>ÜberGrade</b>
ITW		S.Ruhmann	MARCH 27-2015	
		DRAWN		955 National Parkway, Suite 95500 Schaumburg, IL 60173 USA
		CHECKED		
		ENG APPR.		
		MFG APPR.		
		Q.A.		
		DWG. NO.		REV.
		Sales Support Caliburn Screw		0
		Caliburn 1/4		SHEET 1 OF 1